

Easy Backyard Bird Feeder



Supplies

- (1) 1×4×8
 - 1×6 (about 36")
 - [1-¼" Blue-Kote Pocket Screws](#) (Exterior)
 - 1-¼" Exterior Wood Screws or 1-¼" Exterior Finish Nails.
 - [Exterior Wood Glue](#)
 - Rope ([I used this one](#))
 - Birdseed
-

Tools

- Tape Measure
 - Miter Saw or Miter Box
 - Drill
 - Hammer (Optional) Kreg Jig
 - ⅜" Drill Bit
 - Countersink Drill Bit
-

Notes

- [Click here for the original tutorial](#)
- **This plan is for personal use only.** Plans are copyright protected by Saws on Skates® and may not be duplicated or sold.
- By using these plans, you are agreeing to do so at your own risk.
- This plan contains affiliate links. I may receive a small commission if you make a purchase. There is no cost to you for using these links. Thank you for your support.

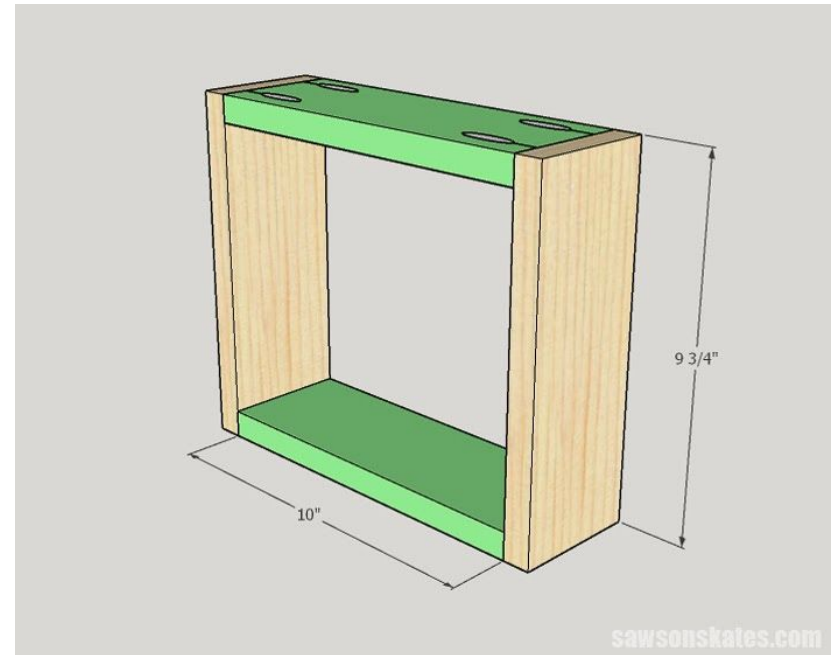
Step 1. Make the Frame

Cut 2 pieces of 1×4 to 9- $\frac{3}{4}$ " for the sides.

Cut 2 pieces of 1×4 to 10" for the top and bottom, and drill pocket holes in each end.

Apply glue to the ends of the top and bottom, position on the sides, and clamp. Attach using [1- \$\frac{1}{4}\$ " exterior pocket screws](#).

Related: [How to Use a Kreg Jig](#)



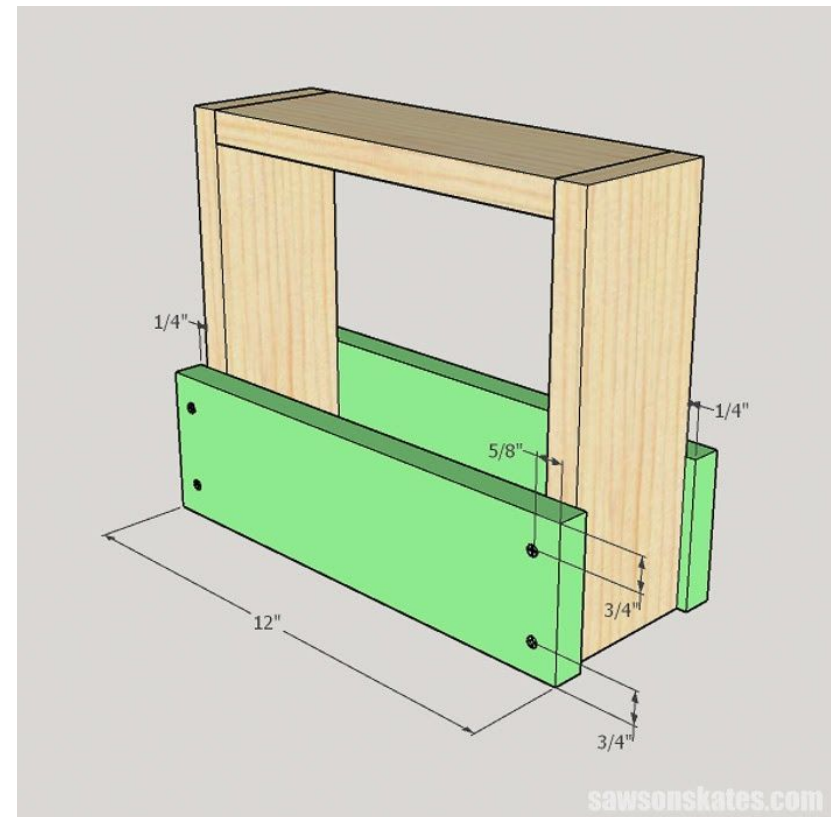
Step 2. Attach the Sides of the Container

Cut 2 pieces of 1×4 to 12" for the sides of the container.

Use the diagram to drill 4 countersink holes.

Center the sides on the frame (the sides extend $\frac{1}{4}$ " beyond the frame), and clamp. Attach using 1- $\frac{1}{4}$ " exterior wood screws.

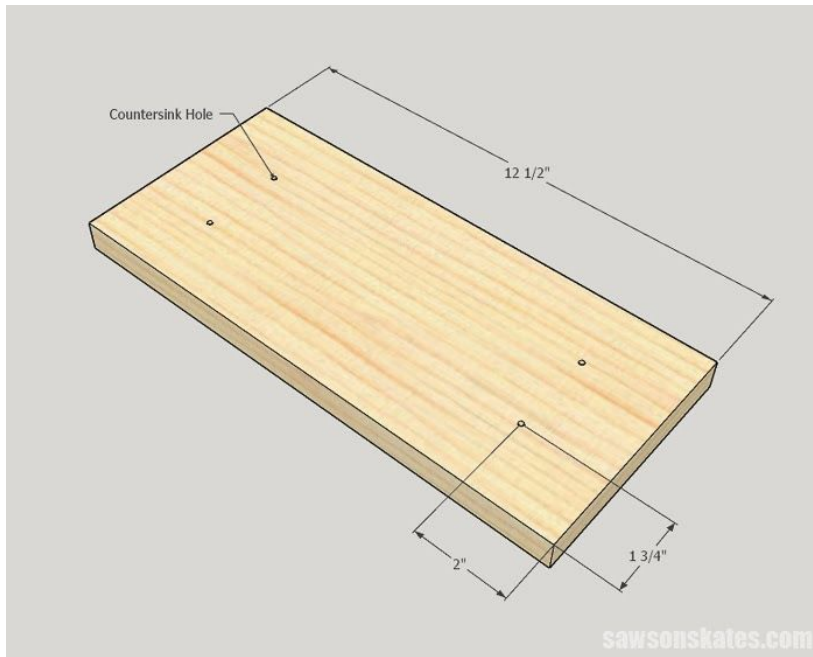
Optional: I used screws to attach the sides to my feeder, but age-appropriate kids could use a hammer and 1- $\frac{1}{4}$ " exterior finish nails to join the parts instead.



Step 3. Attach the Bottom

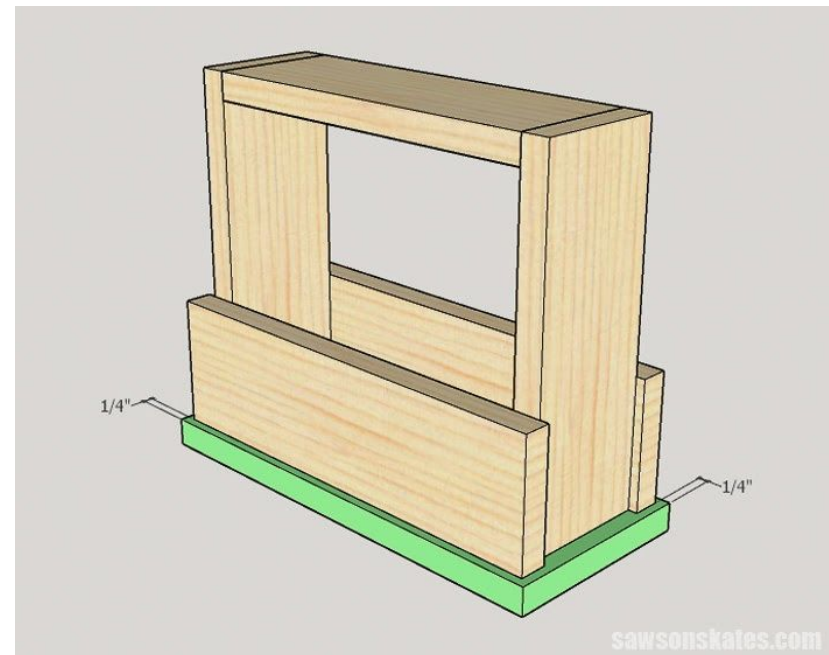
Cut 1 piece of 1×6 to 12-½" for the bottom.

Use the diagram to drill 4 countersink holes.



Center the bottom on the frame (the bottom extends ¼" beyond the frame), and clamp. Attach using 1-¼" exterior wood screws.

Optional: I used screws to attach the bottom to my feeder, but age-appropriate kids could use a hammer and 1-¼" exterior finish nails to join the parts instead.

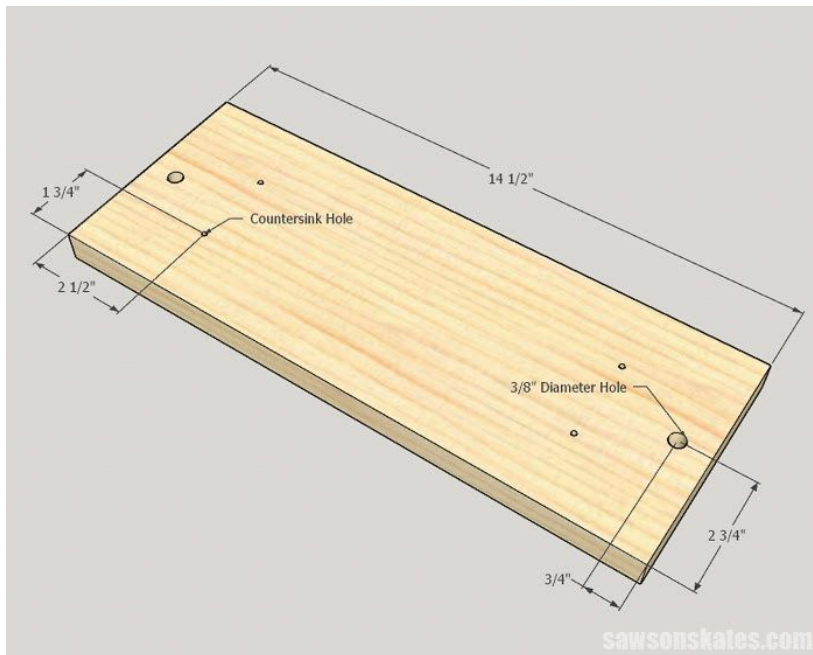


Step 4. Attach the Top

Cut 1 piece of 1×6 to 14-½" for the top.

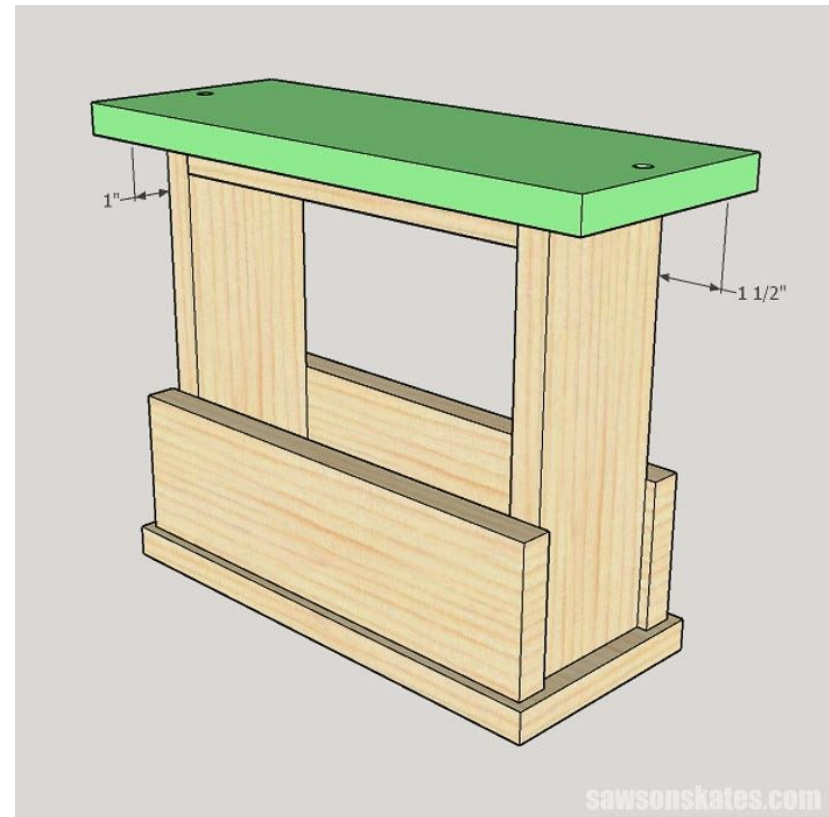
Use the diagram to drill a ⅜" diameter hole in each end. These holes will be used to attach the rope.

Use the diagram to drill 4 countersink holes.



Center the top on the frame, clamp, and attach using 1-¼" exterior wood screws.

Cut a piece of [rope](#) to about 30". Insert one end of the rope into each hole, and tie a knot in each end.



Share Your Project

I would love to see your project!

Please share some photos with me in an [email](#), post some photos on the [Saws on Skates Facebook page](#), or tag me on [Instagram](#) (@sawsonskates).

Did You Find Value in This Free Plan?

If so, would you please consider [treating me to a small cup of coffee](#)? **Thank you** for your support!

